



LED Controller DMX 4x5A - LT-858-5A

Datasheet

Technical Specs

Electronics

LED Output Current (max per o 5A	
Current max.	20A
Power Supply	Not applicable
LED outputs	4
Output power	240W, 480W @ 24V

Control Characteristics

Output	PWM-CV
Dimming Protocol	DMX
Dimming Range	0~100%
Dimming Curve	Linear
Driver Configuration	Dip Switches

Wiring Specifications

Wire type	2,5mm2
Wire Strip Length	5mm

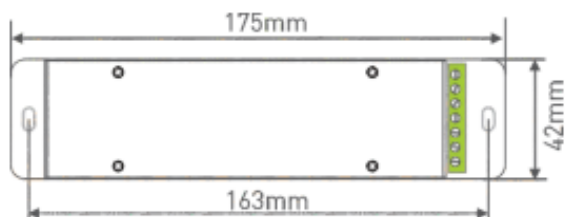
Protection

Reverse Polarity	Yes
LED Output Short	Yes
Overload	Yes
Restart after protection	Yes

Environmental

Ingress protection	IP44
Operating temperature	-30 ~ 65 °C

Technical Drawings

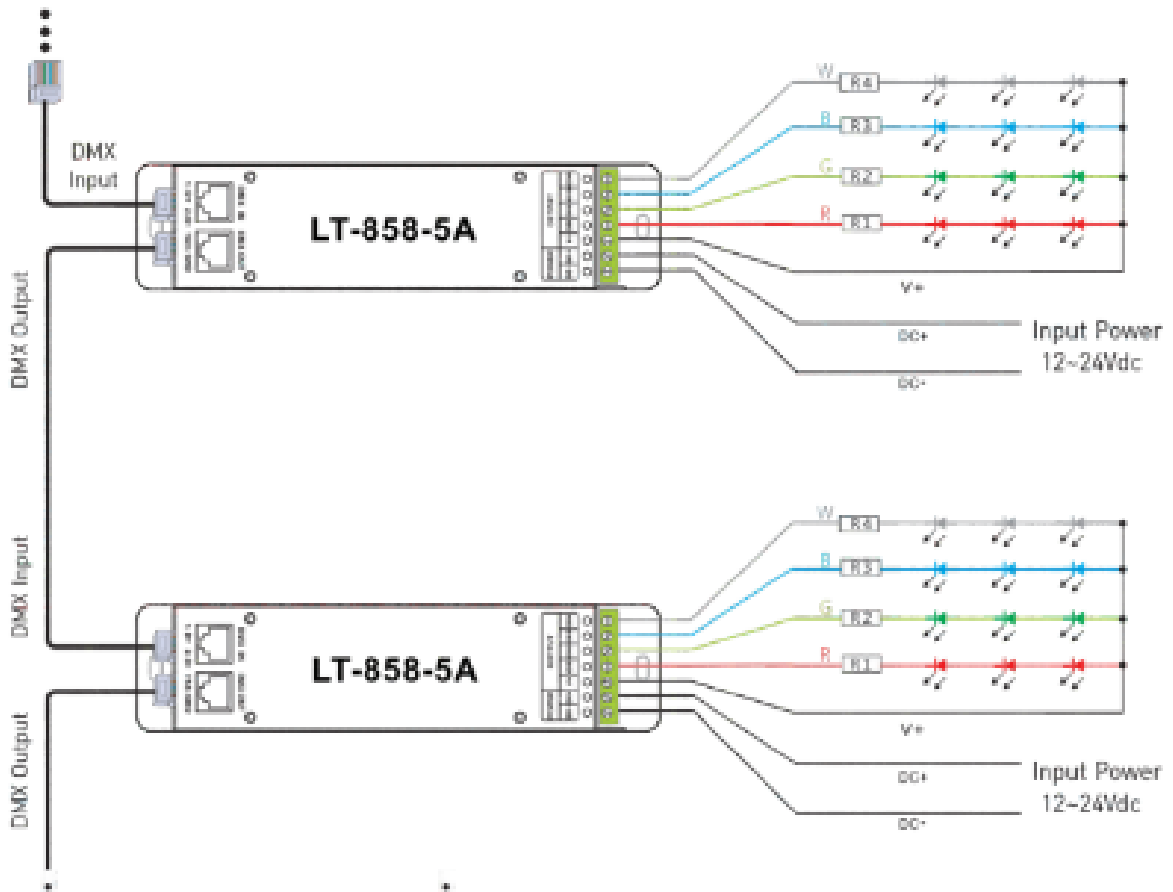


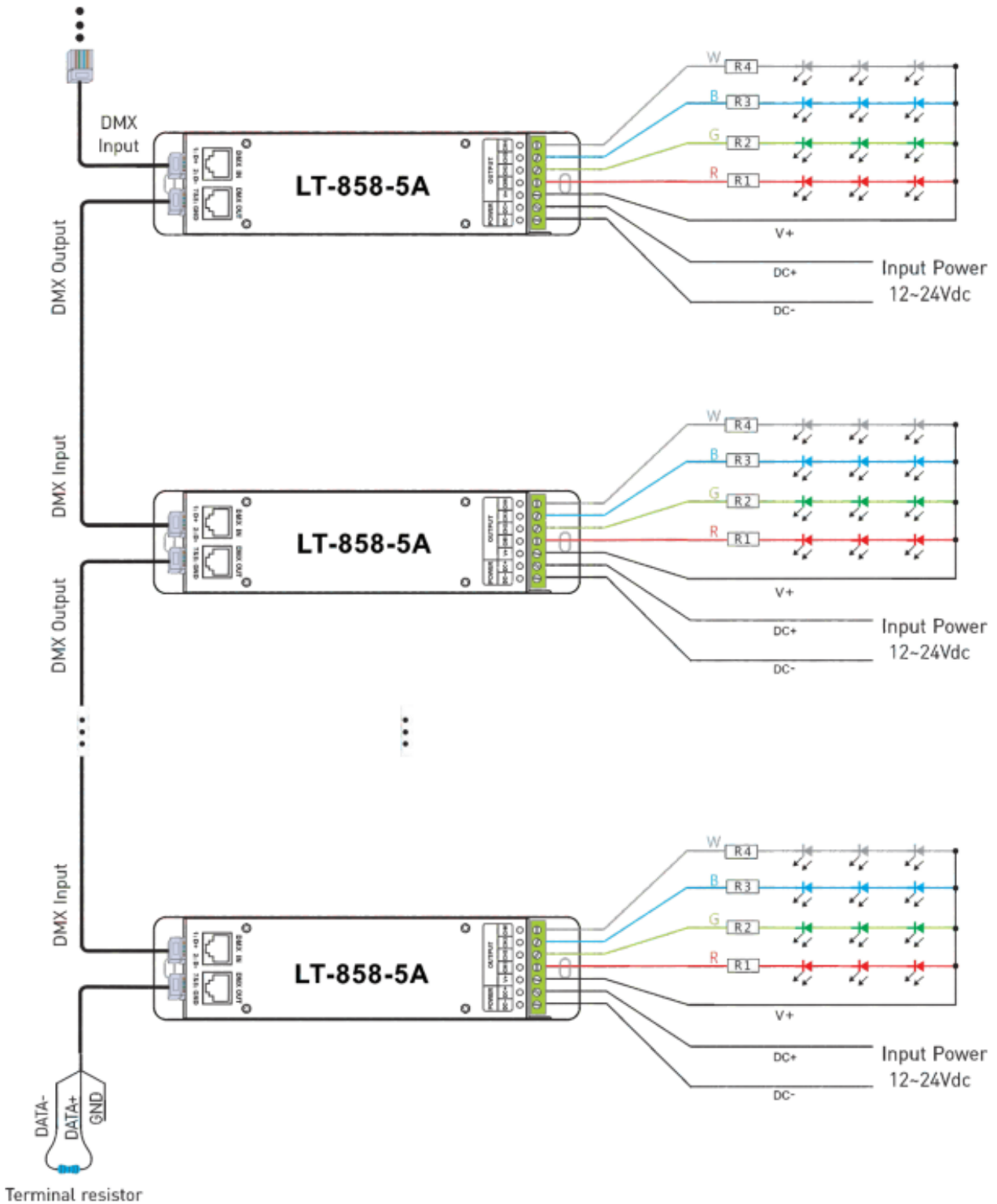
Wiring Diagrams



LT-858-5A DMX-PWM CV Decoder

5. Wiring Diagram:





Order information

Code	Description
22727	LED Controller DMX 4x5A - LT-858-5A