

ILLumiTile[™] US PATENT
Simply Configurable LED Arrays

Product Summary

Light Output

223 Lumens (per IllumiTile)

Power

3 Watts (per IllumiTile)

Dimensions

3.5" x 3.5" (89mm x 89mm)

Total Array Circuit Power

12V DC 5A (60 Watts, Class 2)

Mounting Methods

Screw Holes (Four)

Thermal Adhesive

Connectivity

IllumiSnap[™] Connectivity

ULTRA-VERSATILE DESIGN

IllumiTile Light Engine (ILE) offers an innovative, high quality and very simple solution to create a large, flat LED array for whatever you want to build it into. Edge-lit solutions don't even come close to the light output capability and versatility of IllumiTile. Plus, IllumiTile Light Engines have patented design and are UL Listed.

VERY SIMPLE LAYOUT & CONNECTIVITY

IllumiTile LED arrays use the same common IllumiSnap connections that are used in most other IllumiSci LED lighting system devices. This means that connecting a system can be as simple as snapping together IllumiSci's pre-configured devices with IllumiSnap connectors or harnesses.

WIDE DISPERSION

Get very bright, wide and even dispersion (no noticeable spotting) at just one inch from the IllumiTile array with most 1/4" diffusion materials.

ENERGY EFFICIENT

As with all of IllumiSci's products, IllumiTile LED arrays offer a lower power and reliable "green" solution compared to many other lighting methods.



Get Bright and Even Light with IllumiTile[™]

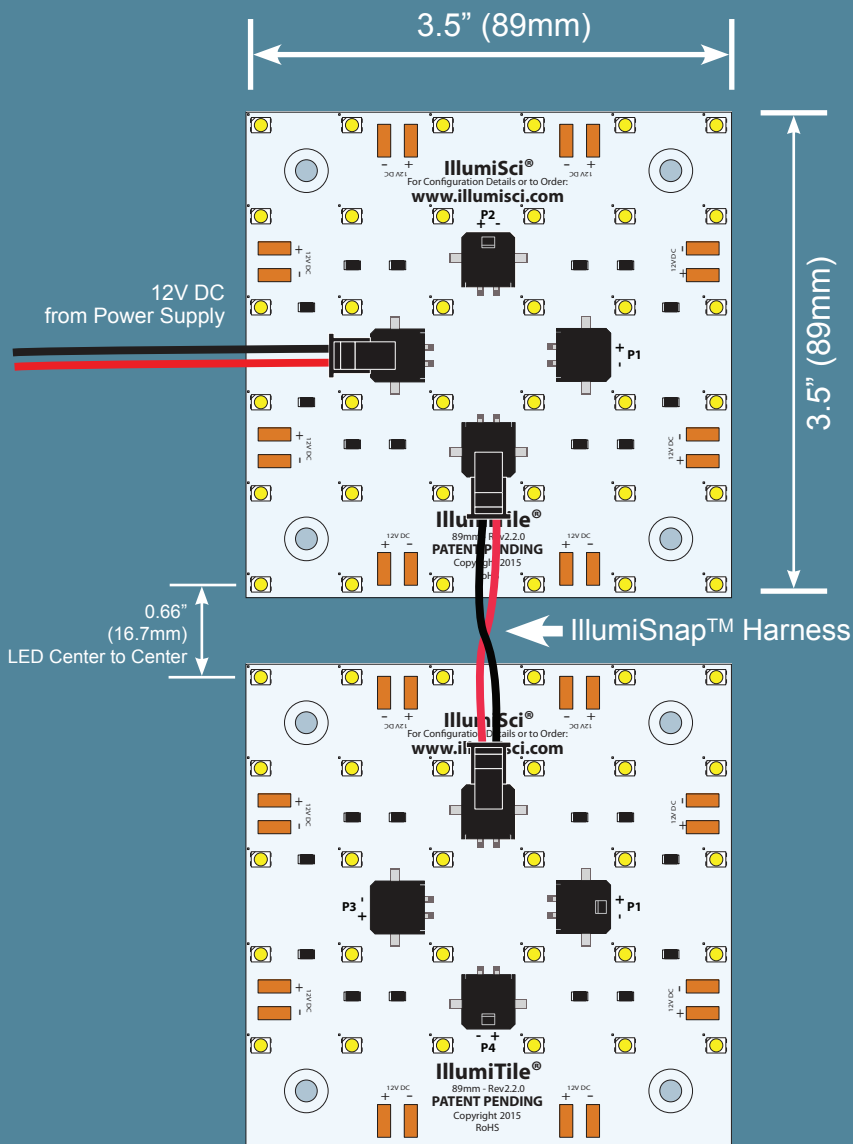
IllumiTile[™] LED arrays are extremely versatile, and deliver even dispersion with high-brightness!



ILLUMITILE™

Simply Configurable LED Light Engines

Technical Info



Patented Design
Very effective design and features offer exceptional versatility.

Safety Certification
UL Listed - Class 2

(Note that a UL compliant system requires the use of IllumiSnap Harnesses only)

Available Color Temperatures

- * 3000 CCT (Warm)
- * 4500 CCT (Neutral White)
- * 6000 CCT (Bright White)

Light Output
223 Lumens (per IllumiTile)

Input Voltage
12.0VDC

Power per IllumiTile
3 Watts

Total Allowable Circuit Power
12V DC 5A (60 Watts, Class 2)

Thermal Management
Convection Cooling
for Room Temperature Environments not exceeding 95 °F (35 °C)

Control

- * IllumAdjust™ Dimmers (recommended)
- * Other 12V DC Dimmers

Connectivity

- * IllumiSnap™ Any-to-Any Connectivity
- * Input/Output: IllumiSnap™ Female Connectors
- * Solder Pads (optional)

Compatibility

- * IllumiFlex™ Flexible LED Strips
- * IllumAdjust™ Dimmers
- * IllumiSci™ 12V DC LED Products

See more great IllumiSci products, download User Manuals and get more information on our Website: www.IllumiSci.com



ILLumiTile[™]

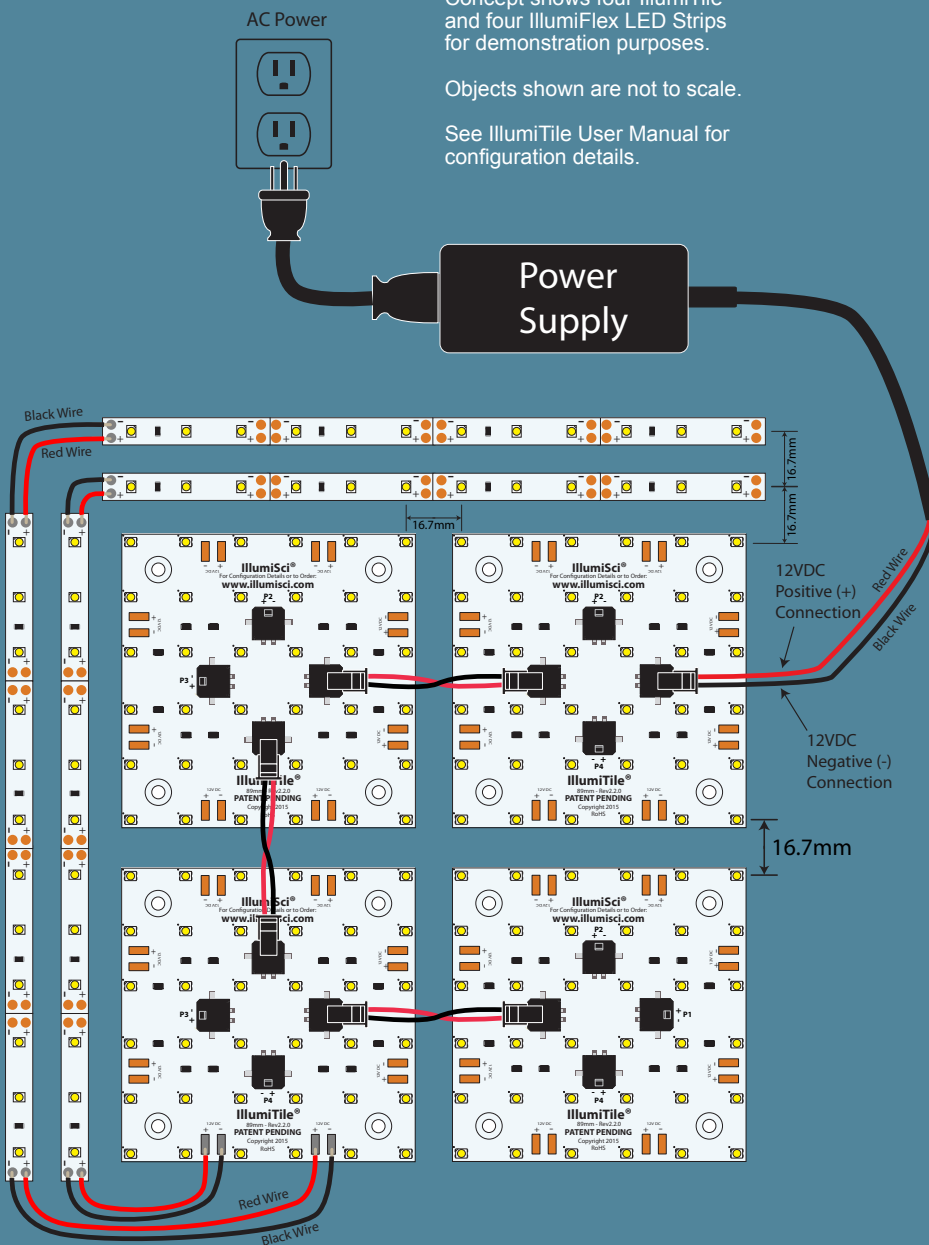
Simply Configurable LED Light Engines

Common Applications

Concept shows four IllumiTile and four IllumiFlex LED Strips for demonstration purposes.

Objects shown are not to scale.

See IllumiTile User Manual for configuration details.



Home

- * Recreational Vehicles
- * Camper Lighting
- * Cove Lighting
- * Accent/Effects/Task Lighting
- * Movie and Game Room Lighting
- * Home Theater Backlighting
- * Under-Cabinet or In-Cabinet Lighting
- * Shelf Lighting
- * Drawer Lighting

Commercial

- * Retail Display Lighting
- * Product Manufacturing
- * Point of Sale Display Lighting
- * Hotel & Restaurant Lighting Effects
- * Bar Lighting Effects
- * Sign and Graphics Display Illumination
- * Architectural Model Lighting
- * Storefront Display
(Dry & Room Temperature Only)
- * TV and Entertainment Unit Lighting
- * Desk Area Lighting
- * Workbench/Task Area Lighting
- * Display Case Lighting
(Dry & Room Temperature Only)
- * Accent & Decor Lighting
- * Under Cabinet Lighting
- * Photography/Film/TV Lighting

Hobby

- * Model Train Lighting
- * Model Lighting
- * Craft Lighting

Car & Vehicle Interior Lighting

- * Automotive Interior Accent Lighting
- * Boats and Marine Crafts
(for non-wet areas)
- * Interior Effects Lighting
- * Parade Float Lighting
- * Stage Vehicle Lighting

We Create Innovative LED Lighting Solutions

OUR VISION

We exist to create innovative and simple to use LED lighting products with a focus on developing meaningful relationships. We strive to inspire and connect our clientele with their customers through visually stunning lighting solutions in the projects they build.

IllumiSci is located in Southern California, USA



IllumiSci[®]

1201 North Catalina Ave., #4093
Redondo Beach, CA 90277
(310) 953-8807 Office
(844) 455-8647 Toll Free

See more great IllumiSci products, download User Manuals
and get more information on our Website: www.IllumiSci.com